

# CPS LED LIGHTING

Applications:

Stadiums

School Playgrounds

Entertainment Plaza

Parking Lots



## 100W Shoebox Light

The shoe box lights are built to be extremely versatile with installation. This is due to the varying selection of mounts available.

The light is also easy to operate, with bright, consistent lighting to make it effective in large areas.

### ORDER INFORMATION

SERIES	WATTAGE (W)	VOLTAGE UH=200-480V	COLOR BR=BROWN	VIEWING ANGLE	KELVIN 50=5000K
CBS-SBX-	100W	UH	BR	T3	40
					50

EXAMPLE: CPS-SBX-100W-UH-BR-T3-50

UL PART # CPS-SBX-100W-UH-BR-T3-50

A&D Mount comes standard with all shoebox units. Please specify if different mounting option is needed. Other options include: Yoke mount (YM), Adjustable mount (AM), and Direct mount (DM).

### SPECIFICATIONS

UL, CUL Certificate

IP65 internal driver, input voltage 200-480 VAC

No UV or IR in the beam

Easy to install and operate

Long lifespan

Light is soft and uniform, safe on eyes

Instant start, no flickering, no humming

Green and eco-friendly, without mercury



CPS LED LIGHTING

843-407-6803

SALES@CPSLED.COM

WWW.CPSLED.COM

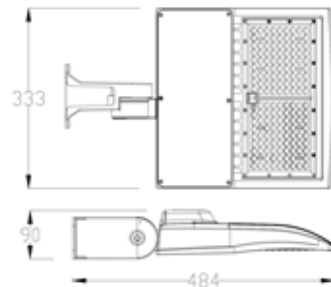
# CPS LED LIGHTING

## TECHNICAL CHARACTERISTICS

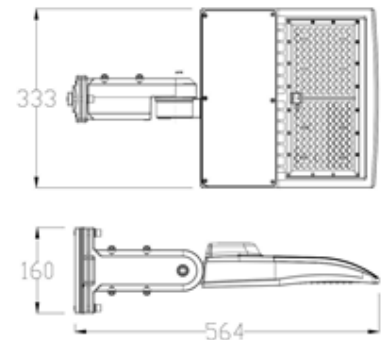
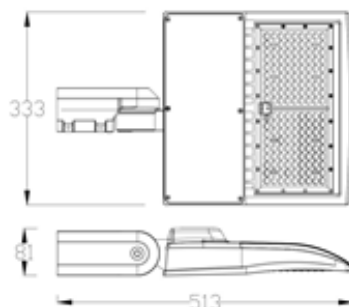
Color temperature	4000K, 5000K
Input voltage	200-480V 50-60Hz
Lumens	12500-14000 LM
Lumen Efficiency	125-140 LM/W
Waterproof rating	IP65
CRI	>70
PFC	>0.9
Viewing angle	150°*85°T3
Operating temperature	-40°F to 113°F
Operating humidity	20%-90% RH
Storage temperature	-40°F to 176°F
Storage humidity	10%-95%
L70 life	Projected 100,000 hours
Warranty	10 years

## MATERIALS

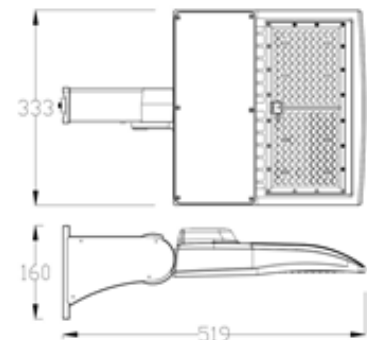
Housing	Aluminum
Housing color	Brown (Standard)



AM



DM



CPS LED LIGHTING

843-407-6803

SALES@CPSLED.COM

WWW.CPSLED.COM

# CPS LED LIGHTING

## Luminaire Property

Luminaire Manufacturer:

Voltage: 200.2 V

Power: 100.20 W

Current: 0.5025 A

Power Factor: 0.997

## Photometric Results

IES Classification: Type IV

Total Rated Lamp Lumens: 12504.8 lm

Efficiency: 100%

Upward Ratio: 0%

Central Intensity: 3260.56 cd

Pos of Max. Intensity: H157.5 V72

Longitudinal Classification: Medium

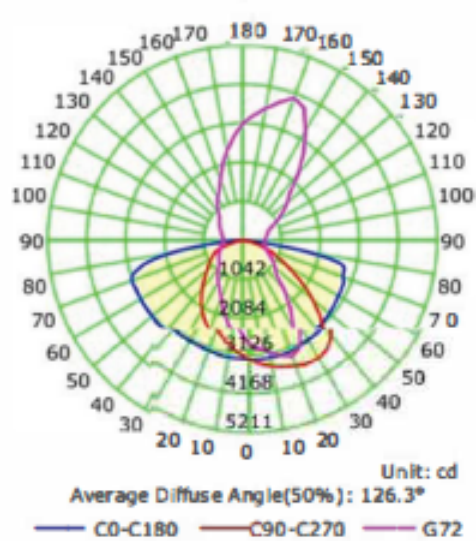
Measurement Flux: 12504.8 lm

Downward Ratio: 100%

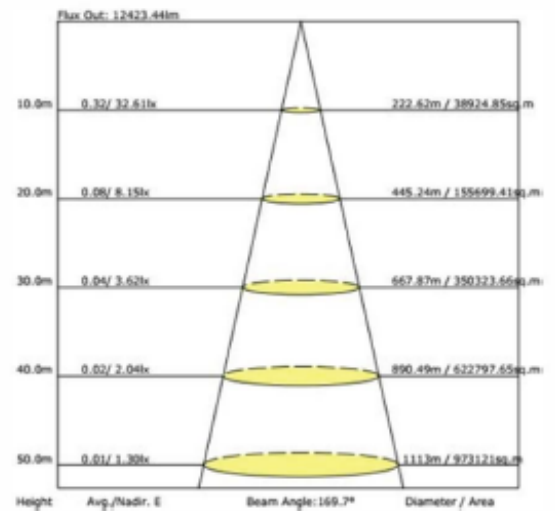
Luminaire Efficacy Rating (LER): 124.80

Max. Intensity: 4168.88 cd

Luminous Intensity Distribution Curve

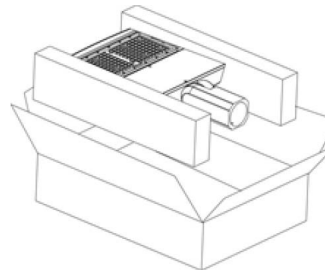


The Average Illuminance Effective Figure



## PACKAGING INFORMATION

STENT TYPE	LAMP NET WEIGHT	SIZE (Inches)	QTY/CARTON	GROSS WEIGHT/CARTON
AM	12.56	23.03*15.15*6.29	1 PC	14.55
DM	13.62	23.03*15.15*6.29	1 PC	15.62
YM	11.9	23.03*15.15*6.29	1 PC	13.89
A&D	14.3	23.03*15.15*6.29	1 PC	16.31



CPS LED LIGHTING

843-407-6803

SALES@CPSLED.COM

WWW.CPSLED.COM

## NOTICE FOR USER

Please turn off power before installing or changing assembly parts.  
The input voltage and lamps should be matched, after connecting the power line.  
Please make sure the wiring section is insulated.